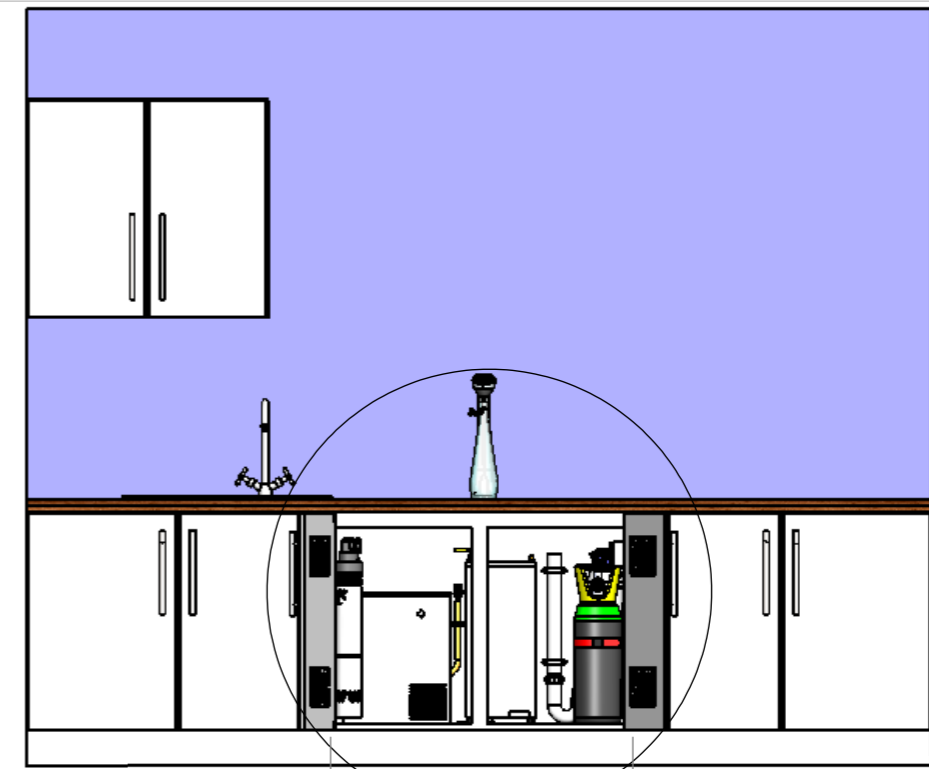
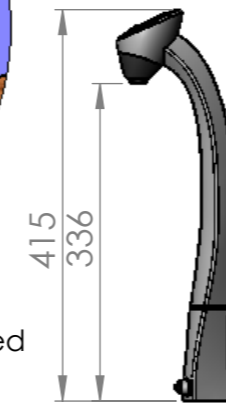


Vi Tap (tall)  
Counter mounted  
over a recessed  
Vivreau stainless  
drip tray



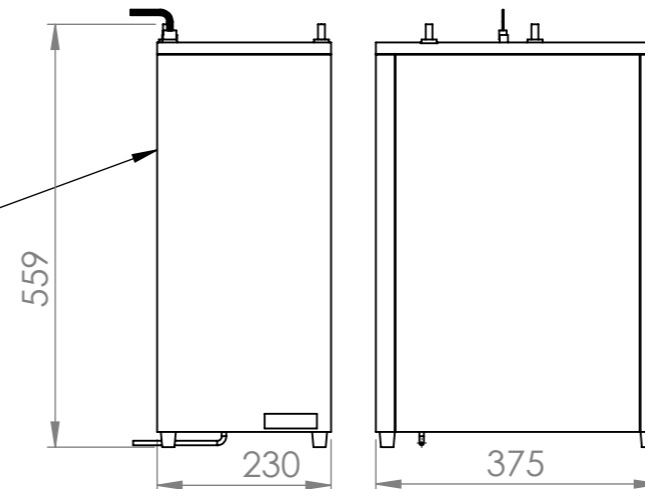
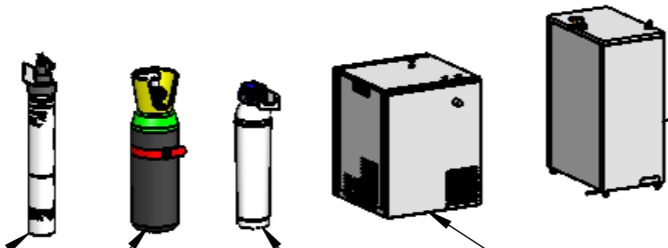
1000

Mains Water Supply  
Terminate 600mm  
above the floor

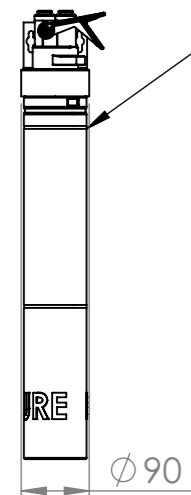
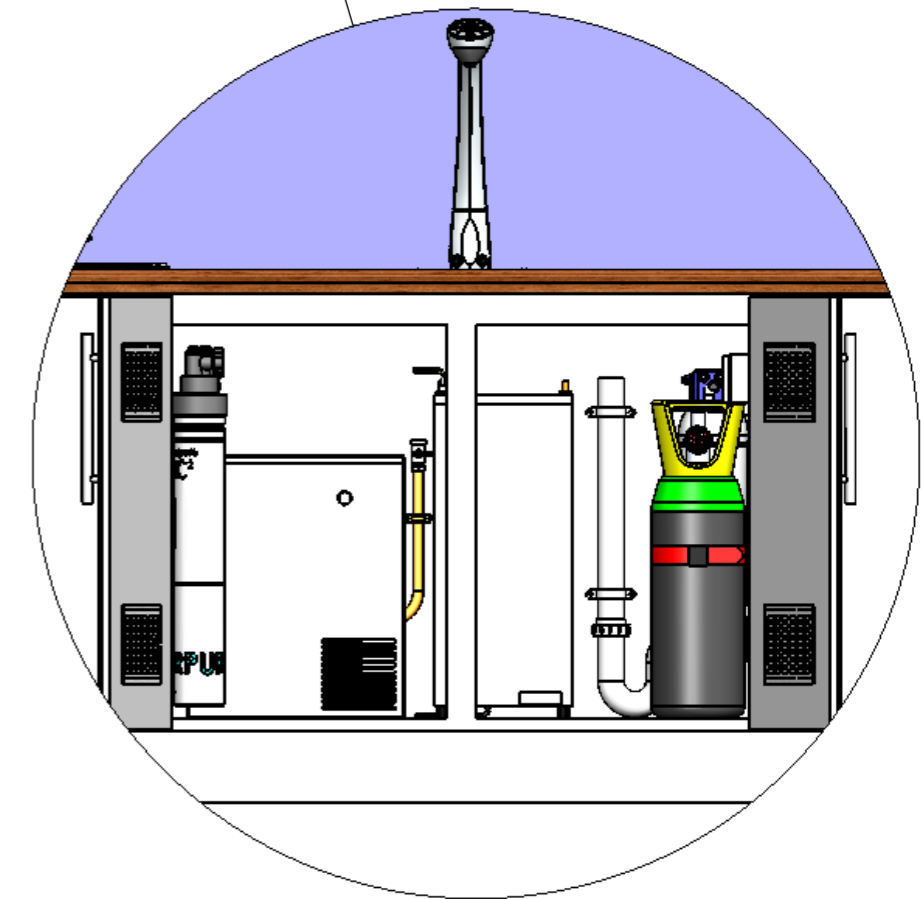
Trapped Waste  
Upstand  
Terminate 600mm  
above the floor

Double Switched  
13A Socket  
220/240V 50Hz

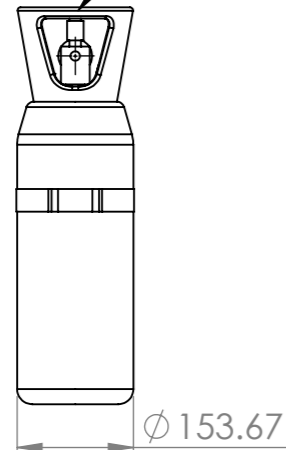
Place Ventilation grilles  
top and bottom in each door



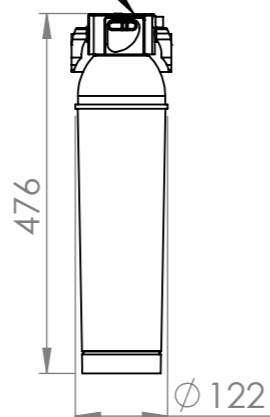
VIVREAU MAX Boiler



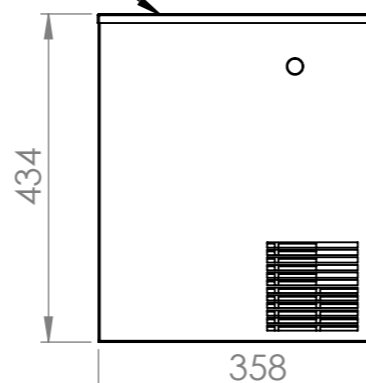
Cold Water  
Filter



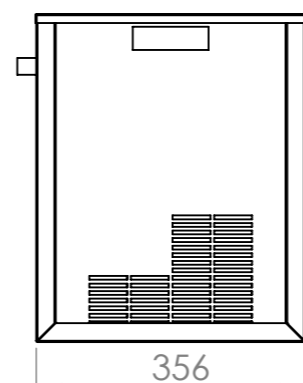
CO 2  
Cylinder



Hot Water  
Filter



VIVREAU Carbonator



VIVREAU Limited  
Unit 44 Metropolitan Park,  
Norwich Road, Greenford,  
Middlesex UB6 8UB

Tel. 0845 6749655  
e,mail www.vivreau.com

DRAWN RJ 14.08.13  
CHKD  
WEIGHT:

VIVREAU

Vi plus-2H max

TITLE:

DWG NO.

Viv086 -1 Vi plus 2H max

A3

SCALE:1:50

DO NOT SCALE DRAWING

This drawing and the content within is the sole property of VIVREAU Limited. It shall not be copied or reproduced in any form without the written permission of VIVREAU Limited  
Copyright © 2013 VIVREAU Limited

No.	Modification	NAME	DATE